

FEATURES

- DESIGNED FOR HEAVY SHOCK AND VIBRATION.
- UNIFORM CLAMPING FORCE AND HIGH THERMAL TRANSFER.
- NARROW WIDTH FOR MAXIMUM PCB COMPONENT AREA.
- LOW PROFILE DESIGN ALLOWS FOR DECREASED SLOT PITCH.
- CAPTIVATED REAR WEDGE.
- LIGHT WEIGHT = ASSEMBLY LENGTH X .085 OZ [2.40 G] OR [.95 G/CM]
- SPECIAL LENGTHS, FINISH, AND OTHER DESIGN OPTIONS AVAILABLE UPON REQUEST.

MATERIAL

MOUNTING BAR AND WEDGES: ALUMINUM 6063-T6.
ALL OTHER HARDWARE: STAINLESS STEEL, PASSIVATED.

PARTS ARE SHIPPED AS COMPLETE ASSEMBLY EXCEPT FOR RIVET MOUNT OPTION (SEE SHEET 2)
RECOMMENDED DRIVE SCREW TORQUE IS 6 IN-LBS (68 N-CM)
8IN-LBS (90 N-CM) ALLOWABLE MAX WITH LOCK PATCH

* CONTACT WAKEFIELD FOR COMPLETE HEATFRAME ASSEMBLY OR OTHER COMPONENT ITEMS

THIS DOCUMENT, IN ITS ENTIRETY, CONTAINS INFORMATION WHICH IS CONFIDENTIAL AND PROPRIETARY TO WAKEFIELD THERMAL. DOCUMENTS MARKED WITH PROPRIETARY ARE NOT TO BE USED, DUPLICATED OR DISCLOSED WITHOUT PRIOR WRITTEN PERMISSION OF AN OFFICER OR DULY AUTHORIZED REPRESENTATIVE OF WAKEFIELD THERMAL OR AS MAY BE PROVIDED IN A WRITTEN NON-DISCLOSURE AGREEMENT BETWEEN THE PARTIES.

CAD GENERATED DRAWING				 2910 INDUSTRIAL DRIVE, RALEIGH, NC 27609	
TOLERANCES UNLESS OTHERWISE SPECIFIED:	NAME	DATE	TITLE: 422C7 WEDGELOCK DATASHEET 0.225 X 0.225		
X.XX ± 0.010"	DRAWN	3/9/2023			
X.XXX ± 0.005"	CHECKED	.			
ANGULAR ± 1°	ENG APPR.	3/9/2023			
MACHINED SURFACES ⁶³	MFG APPR.	.	REV 23A		
INTERPRET GEOMETRIC TOLERANCES PER: ASME Y14.5M-1994	Q.A.	.			
MATERIAL:	SEE PART DETAIL	SIZE	DWG NO.	3E7U8	
FINISH:	SEE FINISH TABLE	B	422C7-DS		
DO NOT SCALE DRAWING	CAGE CODE:	3E7U8	SCALE 1:1	SHEET 1 OF 2	
MODEL_INFO: 422C SERIES MASTER					

[LLL] LENGTH TABLE			
ASSY LENGTH [LLL]	[H] MTG X	[C] OPITON X/2	
480	2.900	1.450	
530	3.400	1.700	
580	3.900	1.950	
630	4.400	2.200	
680	4.900	2.450	
730	5.400	2.700	
780	5.900	2.950	
830	6.400	3.200	
880	6.900	3.450	
930	7.400	3.700	
980	7.900	3.950	
OTHER LENGTHS AVAILABLE UPON REQUEST			

[H] MOUNTING TABLE	
DASH NO	DESCRIPTION
A	NO MOUNTING HOLES
1 R	∅0.068/0.073 THRU ✓ ∅0.213 X 100°
T	#0-80 UNF-2B THREADS
S	#2-56 UNC-2B THREADS
U	M2 X 0.4 - 6H THREADS
2 M	M2.5 X 0.45 - 6H THREADS
THREAD DEPTH .190	

[F] FINISH TABLE	
DASH NO	DESCRIPTION
A	NO FINISH
G	CHROMATE PER MIL-DTL-5541, CLASS 1A, TYPE I (GOLD)
T	TRIVALENT CHROMATE PER MIL-DTL-5541, CLASS 1A, TYPE II (CLEAR), RoHS COMPLIANT
B	BLACK ANODIZE PER MIL-A-8625, TYPE II, CLASS 2
H	HARD BLACK ANODIZE PER MIL-A-8625, TYPE III, CLASS 2
D	HARD BLACK ANODIZE PER MIL-A-8625, TYPE III, CLASS 2 WITH DRY FILM LUBE PER MIL-L-46010
E	ELECTROLESS NICKEL PER MIL-C-26074, CLASS 4, GRADE B, BRIGHT
*N	NADCAP COMPLIANT (EX: 'BN' - BLACK ANODIZE, NADCAP)

- NOTES:
- 1 SHIP AS COMPLETE ASSEMBLY IN RELAXED STATE
(IF RIVET MOUNTING OPTION IS SELECTED, SHIP UNASSEMBLED)
 - 2 NOT RECOMMENDED, REVIEW WITH FACTORY

EXAMPLE
 422C7-480SSB-CKP
 422C7 WEDGELOCK ASSEMBLY
 4.80" LENGTH, 2-56 MTG, 3/32 SOCKET HEAD, BLACK ANODIZE
 CENTER MTG HOLE, CAPTIVE SCREW, LOCK PATCH

PART NUMBER CODE
 422C7-[LLL][H][D][F]-[C][K][P][V]

PART DEFINITION (REQUIRED)

PART NUMBER OPTIONS (NOT REQUIRED)

SERIES PN

ASSY LENGTH (SEE LENGTH TABLE)

MOUNTING HOLE (SEE MOUNTING TABLE)

DRIVE SCREW
 'M' FOR M2.5 HEX
 'S' FOR 3/32 HEX

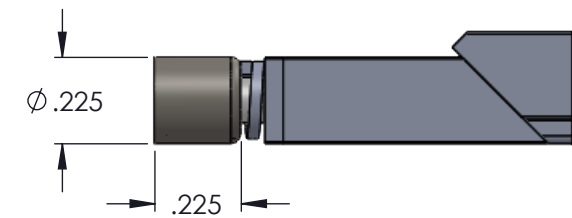
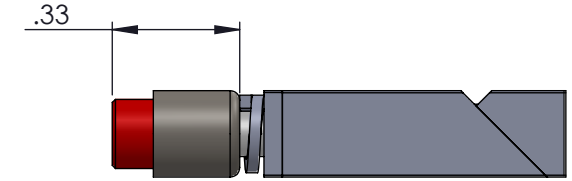
FINISH (SEE FINISH TABLE)

ADD 'V' FOR OPTIONAL VISUAL INDICATOR

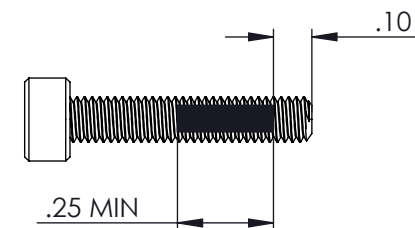
ADD 'P' FOR OPTIONAL LOCK PATCH

ADD 'K' FOR OPTIONAL CAPTIVE SCREW FEATURE

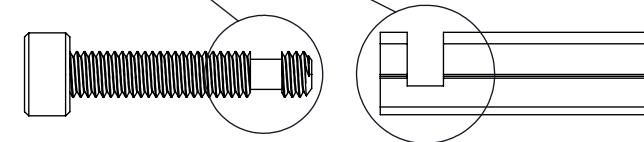
ADD 'C' FOR OPTIONAL CENTER MOUNTING HOLE



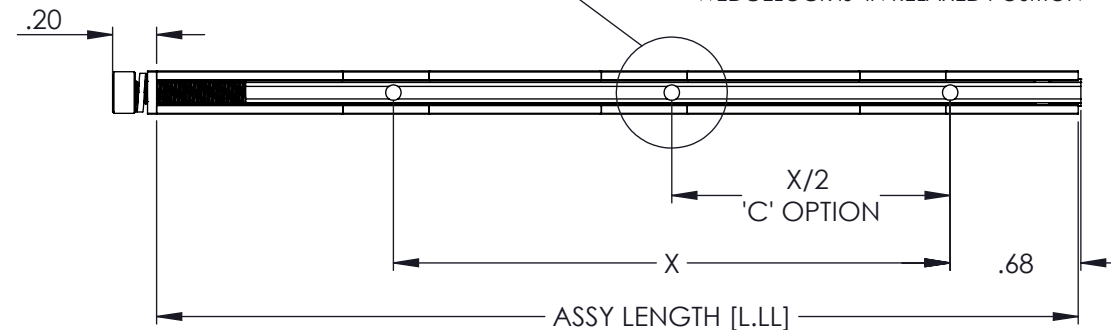
'V' OPTION
 VISUALLY CONFIRMS LOCKED IN PLACE WHEN RED SCREW HEAD IS CONCEALED



'P' OPTION
 NYLON PATCH PER MIL-F-18240 PROVIDES ADDITIONAL RESISTANCE TO SHOCK AND VIBRATION



'K' OPTION
 CAPTIVATES SCREW BY FREE SPINNING WHEN WEDGELOCK IS IN RELAXED POSITION



BOTTOM VIEW

THIS DOCUMENT, IN ITS ENTIRETY, CONTAINS INFORMATION WHICH IS CONFIDENTIAL AND PROPRIETARY TO WAKEFIELD THERMAL. DOCUMENTS MARKED WITH PROPRIETARY ARE NOT TO BE USED, DUPLICATED OR DISCLOSED WITHOUT PRIOR WRITTEN PERMISSION OF AN OFFICER OR DULY AUTHORIZED REPRESENTATIVE OF WAKEFIELD THERMAL OR AS MAY BE PROVIDED IN A WRITTEN NON-DISCLOSURE AGREEMENT BETWEEN THE PARTIES.

SIZE	DWG NO.	REV
B	422C7-DS	23A
CAGE CODE:	SCALE 1:1	SHEET 2 OF 2
3E7U8		

MODEL_INFO:
 422C SERIES MASTER